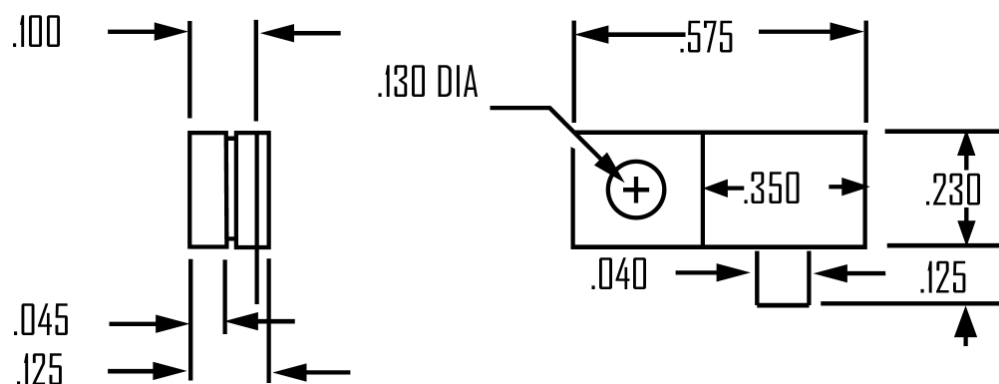


HIGH POWER TERMINATION


S3CR50A050



Electrical Specifications		Material Specifications		General Specifications	
RFT P/N	S3CR50A050	Substrate	AlN	Mechanical Tolerance	±.010"
Power (Watt)	50	Flange	Copper with Nickel Plating	Tolerance	±5%
Resistance (Ohm)	50	Tab	Nickel with Silver plating	Power Handling	50 W @ 100°C 0 W @ 180°C
Frequency (GHz)	4	Cover	Alumina	Construction	Lead free solder
VSWR	DC – 2 GHz: 1.25:1 2 – 4 GHz: 1.35:1	Resistive Element	Thick Film	RoHS Compliance	Yes with Electronic exemption

All dimensions are in inches. Minimum lead length is 0.125". Call for other values. 1% & 2% resistance tolerances available.

2245 Fortune Drive, San Jose, CA 95131 Phone: (408) 433-1941 Fax: (408) 433-1943

	CAGE CODE 0NR42	50W 50 Ohm Termination	
		Dwg. No:S3CR50A050	Rev. A