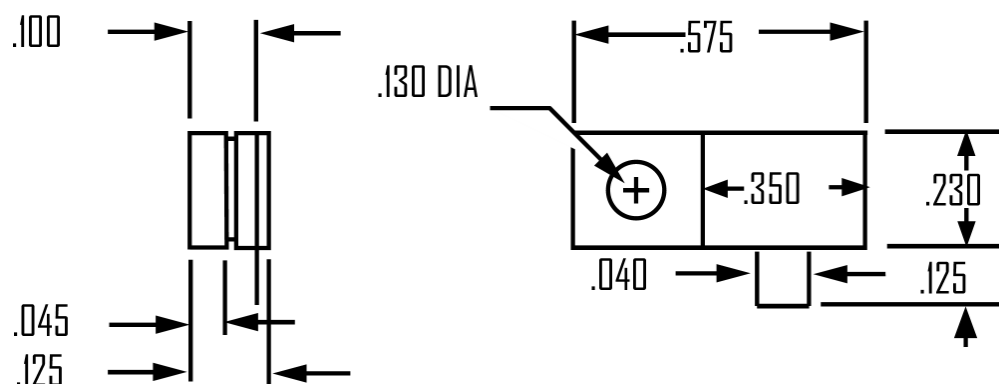


# HIGH POWER TERMINATION


## S3CR50050



Electrical Specifications		Material Specifications		General Specifications	
<b>RFT P/N</b>	S3CR50050	<b>Substrate</b>	BeO	<b>Mechanical Tolerance</b>	±.010"
<b>Power (Watt)</b>	50	<b>Flange</b>	Copper with Nickel Plating	<b>Tolerance</b>	±5%
<b>Resistance (Ohm)</b>	50	<b>Tab</b>	Nickel with Silver plating	<b>Power Handling</b>	50 W @ 100°C 0 W @ 180°C
<b>Frequency (GHz)</b>	4	<b>Cover</b>	Alumina	<b>Construction</b>	Lead free solder
<b>VSWR</b>	DC – 2 GHz: 1.25:1 2 – 4 GHz: 1.35:1	<b>Resistive Element</b>	Thick Film	<b>RoHS Compliance</b>	Yes with Electronic exemption

All dimensions are in inches. Minimum lead length is 0.125". Call for other values. 1% & 2% resistance tolerances available.

2245 Fortune Drive, San Jose, CA 95131 Phone: (408) 433-1941 Fax: (408) 433-1943

	CAGE CODE 0NR42	<b>50W 50 Ohm Termination</b>	
		Dwg. No: S3CR50050	Rev. A