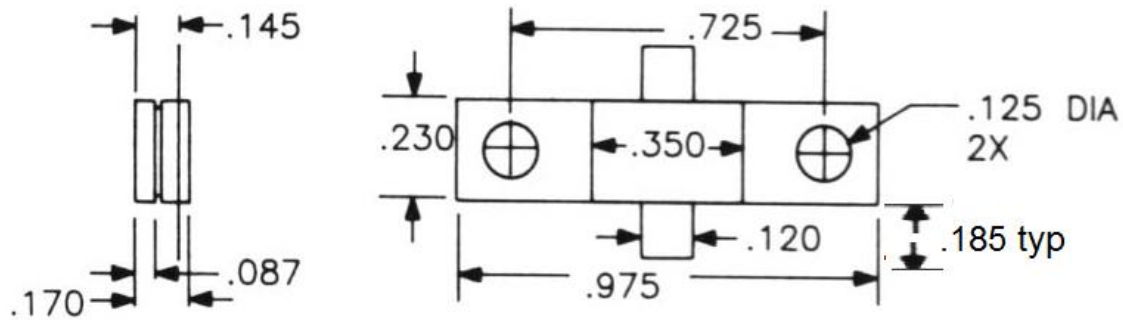


HIGH POWER RESISTOR


S1F150050



| Electrical Specifications | | Material Specifications | | General Specifications | |
|---------------------------|-----------|-------------------------|----------------------------|------------------------|-------------------------------|
| RFT P/N | S1F150050 | Substrate | BeO | Mechanical Tolerance | ±.010" |
| Power (Watt) | 150 | Flange | Copper with Nickel Plating | Resistance Tolerance | ±5% |
| Resistance (Ohm) | 50 | Tab | Nickel with Silver plating | Power Handling | 150 W @ 100°C 0 W @ 180°C |
| Frequency (GHz) | 3 | Cover | Alumina | Construction | Lead free solder |
| Capacitance (pF Typical) | 1.5 | Resistive Element | Thick Film | RoHS Compliance | Yes with Electronic exemption |

All dimensions are in inches. 1% & 2% resistance tolerance available. Other resistance values available.

2245 Fortune Drive, San Jose, CA 95131 Phone: (408) 433-1941 Fax: (408) 433-1943

| | | | |
|-------------------------------------------------------------------------------------|--------------------|-----------------------------|--------|
|  | CAGE CODE 0NR42 | 150W 50 Ohm Resistor | |
| | | Dwg. No.:S1F150050 | Rev. B |