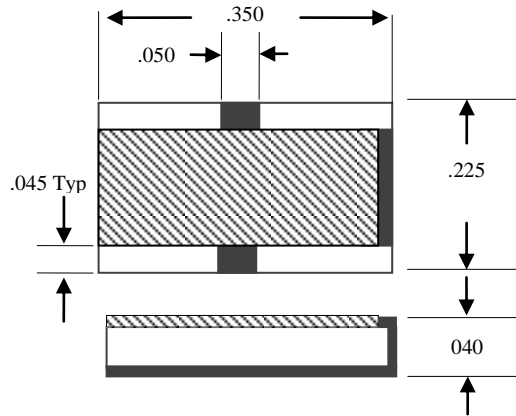


# HIGH POWER CHIP ATTENUATOR


A2253504A-010



Electrical Specifications		Material Specifications		General Specifications	
<b>RFT P/N Marking</b>	None	<b>Substrate</b>	AlN	<b>Mechanical Tolerance</b>	±.010"
<b>Power (Watt)</b>	100	<b>Flange</b>	None	<b>Tolerance (dB)</b>	DC – 2 GHz: ± .5 2 – 4 GHz: ± 1
<b>Attenuation (dB)</b>	1	<b>Tab</b>	None	<b>Power Handling</b>	100@ 100°C 0 W @ 150 °C
<b>Frequency (GHz)</b>	6	<b>Cover</b>	None	<b>Construction</b>	
<b>VSWR</b>	DC – 1 GHz: 1.20:1 2-4 GHz: 1.35:1	<b>Resistive Element</b>	Thick Film	<b>RoHS Compliance</b>	Yes

All dimensions are in inches lead length 0.185". Other attenuation and tolerance values available.

2245 Fortune Drive, San Jose, CA 95131 Phone: (408) 433-1941 Fax: (408) 433-1943

	CAGE CODE 0NR42	<b>100W 1 dB Chip Attenuator</b>	
		Dwg. No: A2253504A-010	Rev. A