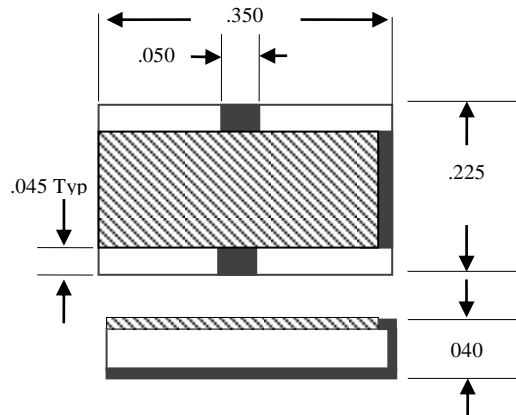


HIGH POWER CHIP ATTENUATOR


A2253504-010



| Electrical Specifications | | Material Specifications | | General Specifications | |
|---------------------------|---------------------------------------|--------------------------|------------|-----------------------------|------------------------------------|
| RFT P/N Marking | None | Substrate | BeO | Mechanical Tolerance | ±.010" |
| Power (Watt) | 100 | Flange | None | Tolerance (dB) | DC – 2 GHz: ± .5 2 – 4 GHz: ± 1 |
| Attenuation (dB) | 1 | Tab | None | Power Handling | 100@ 100°C 0 W @ 150 °C |
| Frequency (GHz) | 6 | Cover | None | Construction | |
| VSWR | DC – 1 GHz: 1.20:1 2-4 GHz: 1.35:1 | Resistive Element | Thick Film | RoHS Compliance | Yes |

All dimensions are in inches lead length 0.185". Other attenuation and tolerance values available.

2245 Fortune Drive, San Jose, CA 95131 Phone: (408) 433-1941 Fax: (408) 433-1943

| | | | |
|---|--------------------|----------------------------------|--------|
|  | CAGE CODE 0NR42 | 100W 1 dB Chip Attenuator | |
| | | Dwg. No: A2253504-010 | Rev. A |