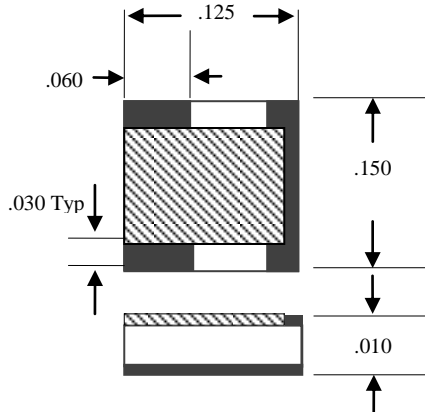


# CHIP ATTENUATOR

A1251501-030



Electrical Specifications		Material Specifications		General Specifications	
<b>RFT P/N Marking</b>	None	<b>Substrate</b>	Alumina	<b>Mechanical Tolerance</b>	±.010"
<b>Power (Watt)</b>	2	<b>Terminals</b>	Platinum Silver	<b>Tolerance (dB)</b>	DC – 2 GHz: ± .5 2 – 4 GHz: ± 1
<b>Attenuation (dB)</b>	3	<b>Resistive Element</b>	Thin Film	<b>Power Handling</b>	2 W @ 100°C 0 W @ 150 °C
<b>Frequency (GHz)</b>	4	<b>Tab</b>	None	<b>Operating</b>	-55°C TO +150°C.
<b>VSWR</b>	DC – 2 GHz: 1.20:1 2-4 GHz: 1.25:1	<b>Cover</b>	None	<b>RoHS Compliance</b>	Yes

All dimensions are in inches lead length 0.185". Other attenuation and tolerance values available.

2245 Fortune Drive, San Jose, CA 95131 Phone: (408) 433-1941 Fax: (408) 433-1943

	CAGE CODE 0NR42	<b>2W 3 dB Chip Attenuator</b>	
		Dwg. No: A1251501-010	Rev. A