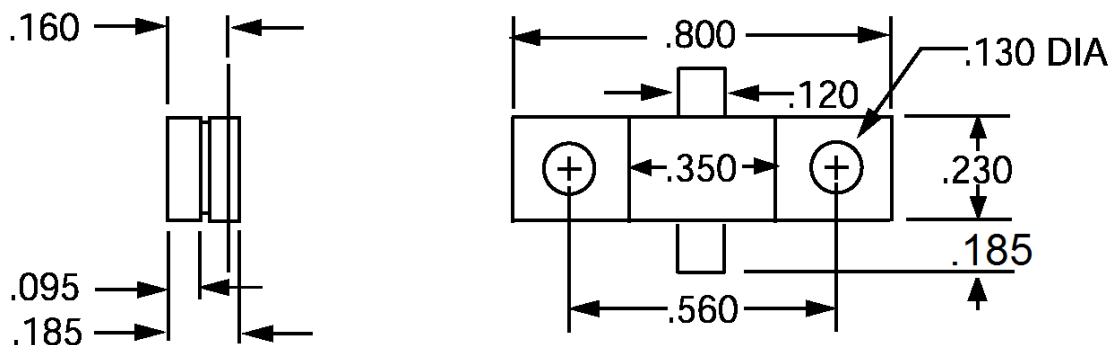


# HIGH POWER BRAZED RESISTOR


## 1BB150050



Electrical Specifications		Material Specifications		General Specifications	
<b>RFT P/N</b>	1BB150050	<b>Substrate</b>	BeO	<b>Mechanical Tolerance</b>	±.010"
<b>Power (Watt)</b>	150	<b>Flange</b>	Copper with Nickel Plating	<b>Resistance Tolerance</b>	±5%
<b>Resistance (Ohm)</b>	50	<b>Tab</b>	Nickel with Silver plating	<b>Power Handling</b>	150 W @ 100°C 0 W @ 250°C
<b>Frequency (GHz)</b>	3	<b>Cover</b>	Alumina	<b>Construction</b>	Brazed
<b>Capacitance (pF Typical)</b>	1.5	<b>Resistive Element</b>	NiChrome	<b>RoHS Compliance</b>	Yes

All dimensions are in inches. 1% & 2% resistance tolerance available. Other resistance values available.

2245 Fortune Drive, San Jose, CA 95131 Phone: (408) 433-1941 Fax: (408) 433-1943

	CAGE CODE 0NR42	<b>150W 50 Ohm Resistor</b>	
		Dwg. No:1BB150050	Rev. <b>B</b>